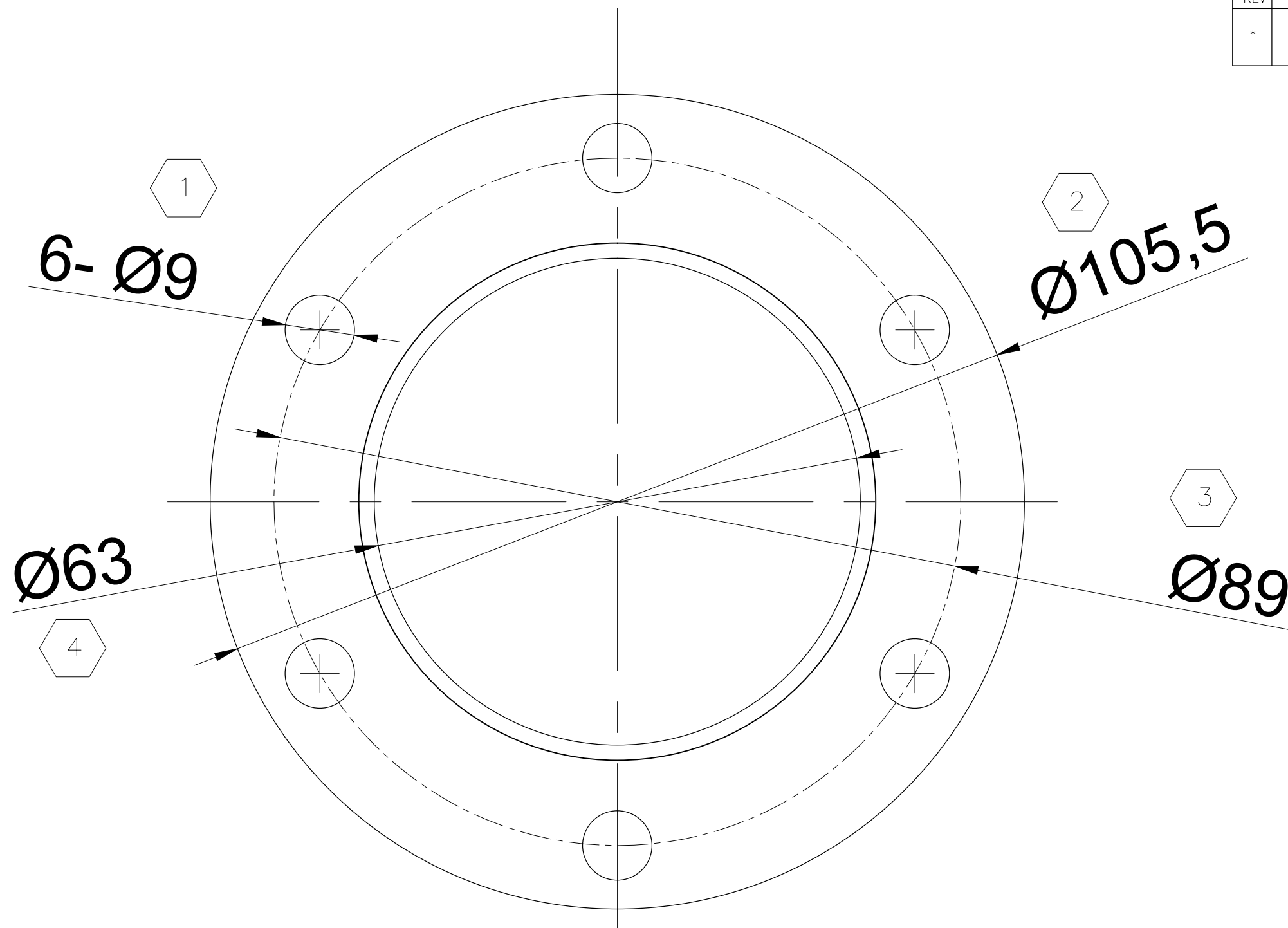


P/N	REV	MODEL
M4141-03	-	T04

REV	DESCRIPTION	DATE
*	*	*



M4142-03

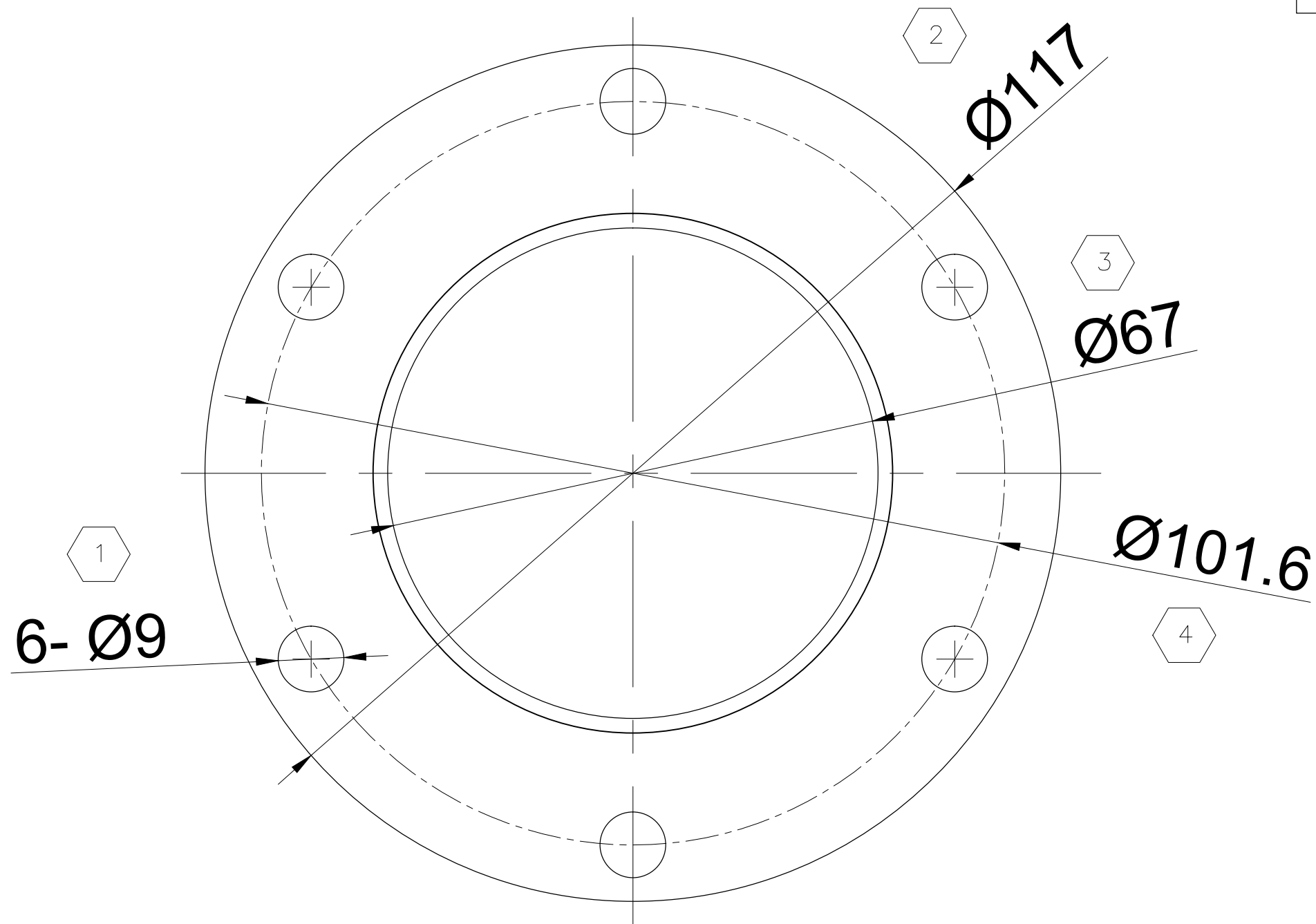
1 STAINLESS STEEL 304/430

DIMENSION IN MILLIMETERS		REV		LIST OF MATERIAL	
FOR TOLERANCES NOT SPECIFIED	±0,25	DRAW	PP	DATE	5/4/18
FIRST ANGLE PROJECTION		CHECKED		DATE	
LIMITS NOT ACCUMULATIVES OVER A CONTINUOUS DIMENSION		APPROVED	PAULO PEREIRA	DATE	5/4/18
DRAWING CONFORMS TO ANSI Y14.5-1982				TURB.OUTLET GASKETS	
				SCALE	NONE
				DRAW NUM.	M4142-03
				REV	-

z@ki


P/N	REV	MODEL
M4142-04	-	T04

REV	DESCRIPTION	DATE
*	*	*



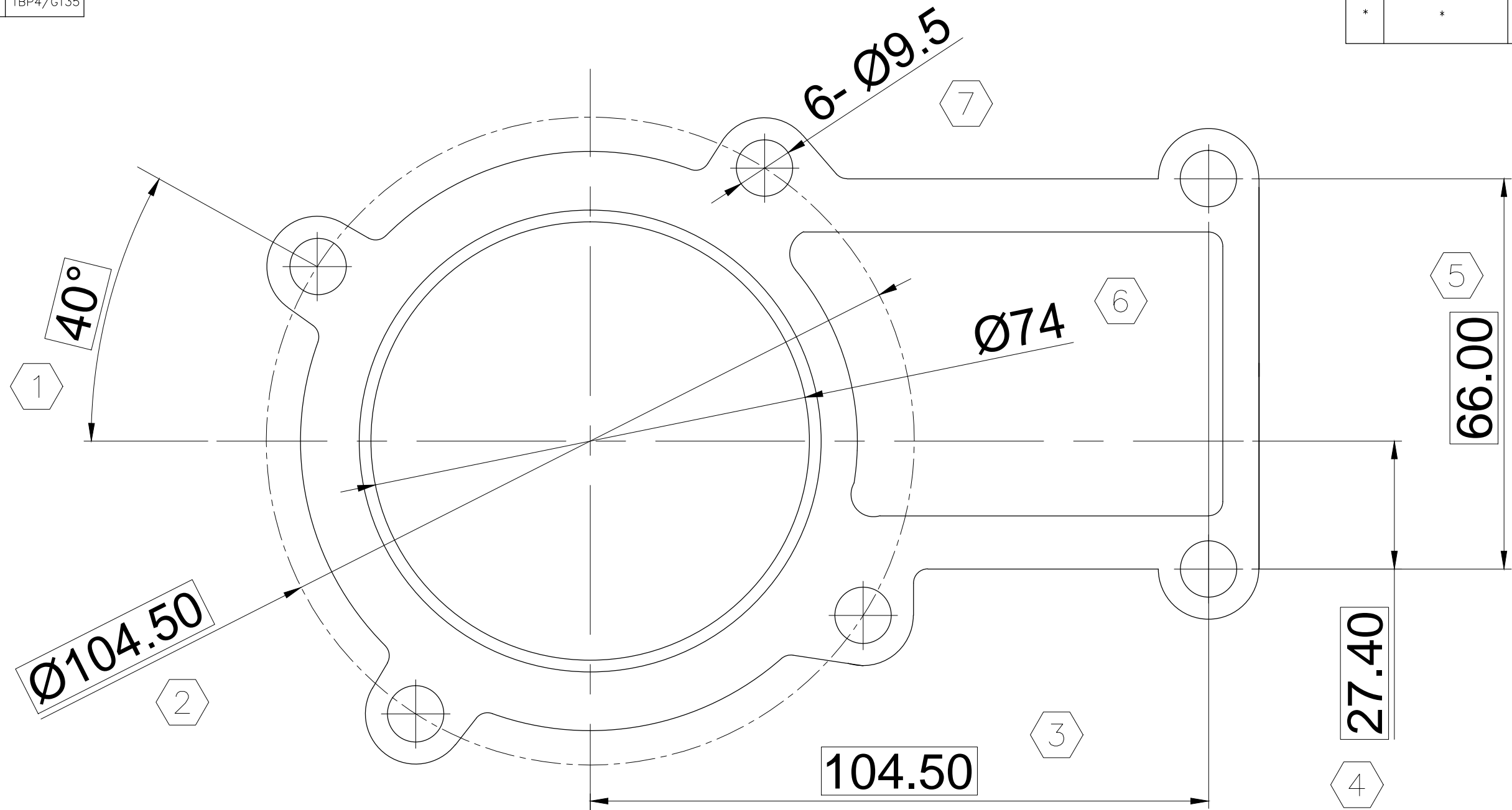
M4142-04

 STAINLESS STEEL 304/430

DIMENSION IN MILLIMETERS		REV	LIST OF MATERIAL	
FOR TOLERANCES NOT SPECIFIED	±0,25	DRAW	PP	DATE 5/4/18
FIRST ANGLE PROJECTION		CHECKED		DATE
		APPROVED	PAULO PEREIRA	DATE 5/4/18
LIMITS NOT ACCUMULATIVES OVER A CONTINUOUS DIMENSION		TURB.OUTLET GASKETS		
DRAWING CONFORMS TO ANSI Y14.5-1982		SCALE NONE		
				
				DRAW NUM. M4142-04 REV -


P/N	REV	MODEL
M4142-05	-	TBP4/GT35

REV	DESCRIPTION	DATE
*	*	*



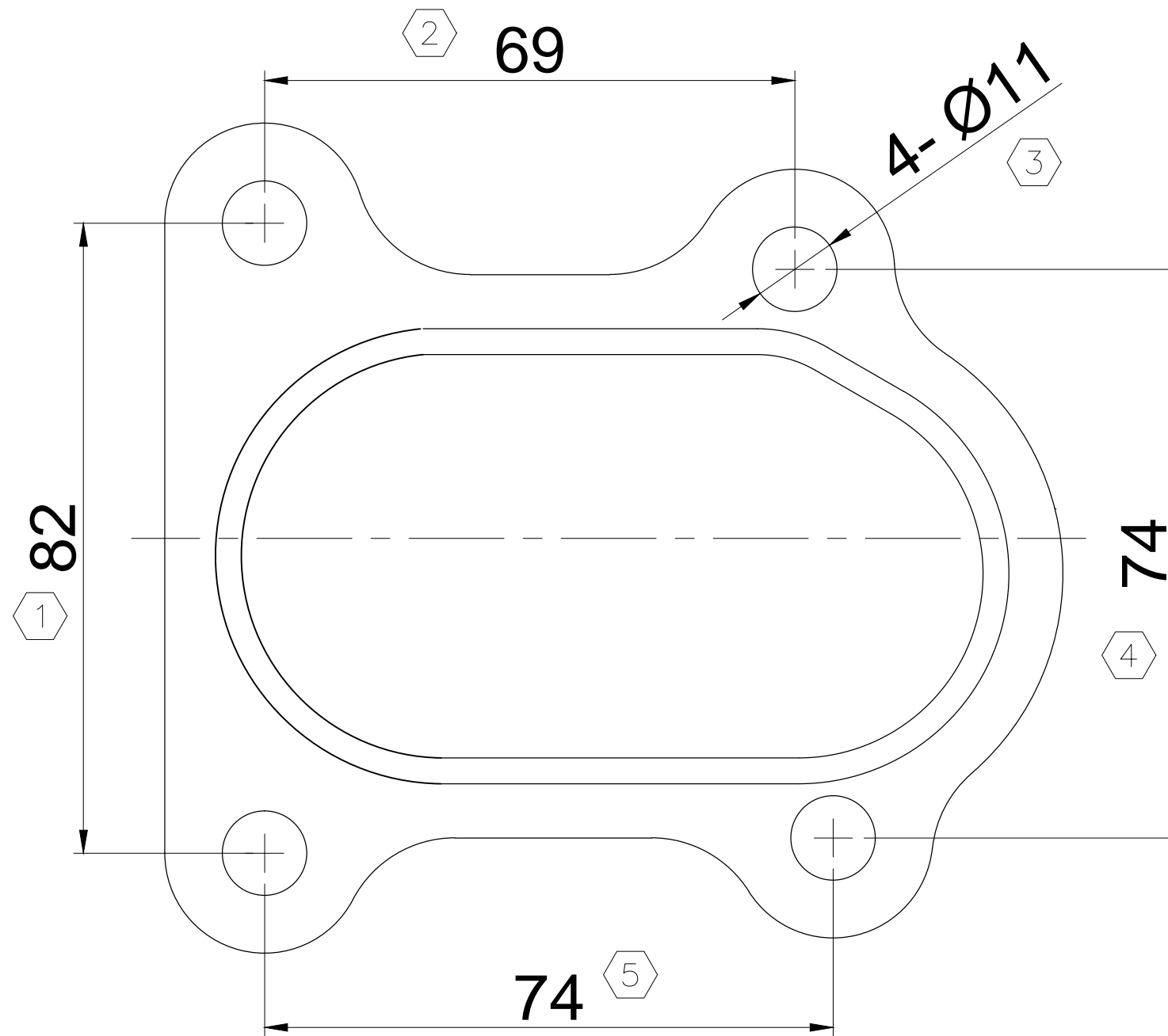
M4142-05

1 STAINLESS STEEL 304/430

DIMENSION IN MILLIMETERS		REV	LIST OF MATERIAL		MATERIAL SPEC	WEIGHT
FOR TOLERANCES NOT SPECIFIED	±0,25	DRAW	PP	DATE		
		CHECKED		DATE		
		APPROVED	PAULO PEREIRA	DATE		
				6/4/18		
LIMITS NOT ACCUMULATIVES OVER A CONTINUOUS DIMENSION				TURB.OUTLET GASKET		
DRAWING CONFORMS TO ANSI Y14.5-1982				SCALE NONE		
					DRAW NUM.	REV
					M4142-05	-

P/N	REV	MODEL
M4142-06	-	K16

REV	DESCRIPTION	DATE
*	*	*



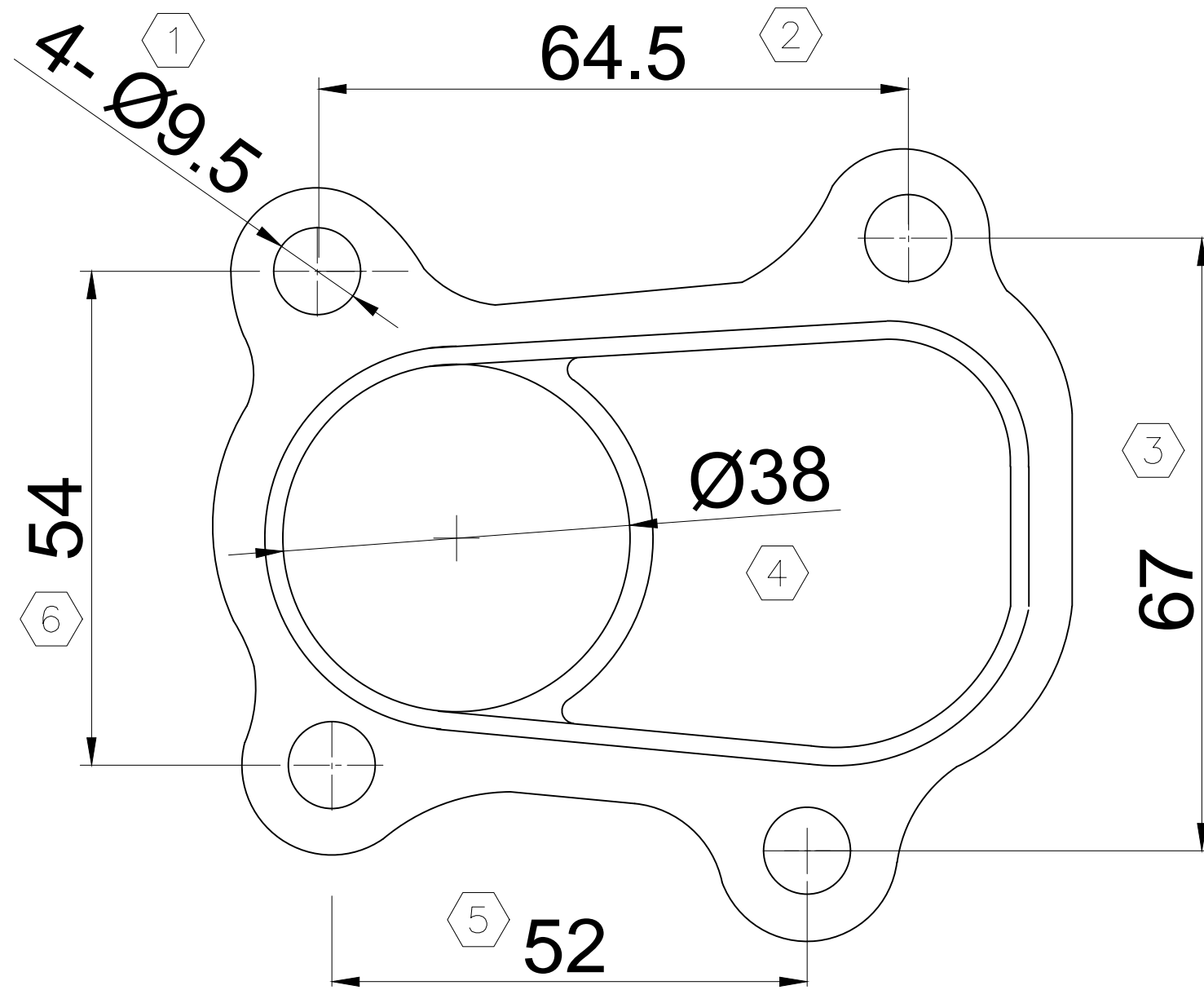
M4142-07

1 STAINLESS STEEL 304/430

DIMENSION IN MILLIMETERS		REV	LIST OF MATERIAL	
FOR TOLERANCES NOT SPECIFIED	±0,25	DRAW	DATE	TURB.OUTLET GASKETS
		PP	6/4/18	
		CHECKED	DATE	
		APPROVED	DATE	
LIMITS NOT ACCUMULATIVES OVER A CONTINUOUS DIMENSION		PAULO PEREIRA	6/4/18	
DRAWING CONFORMS TO ANSI Y14.5-1982				
SCALE			NONE	DRAW NUM.
				M4142-06
				REV
				-

P/N	REV	MODEL
M4142-10	-	TD025

REV	DESCRIPTION	DATE
*	*	*



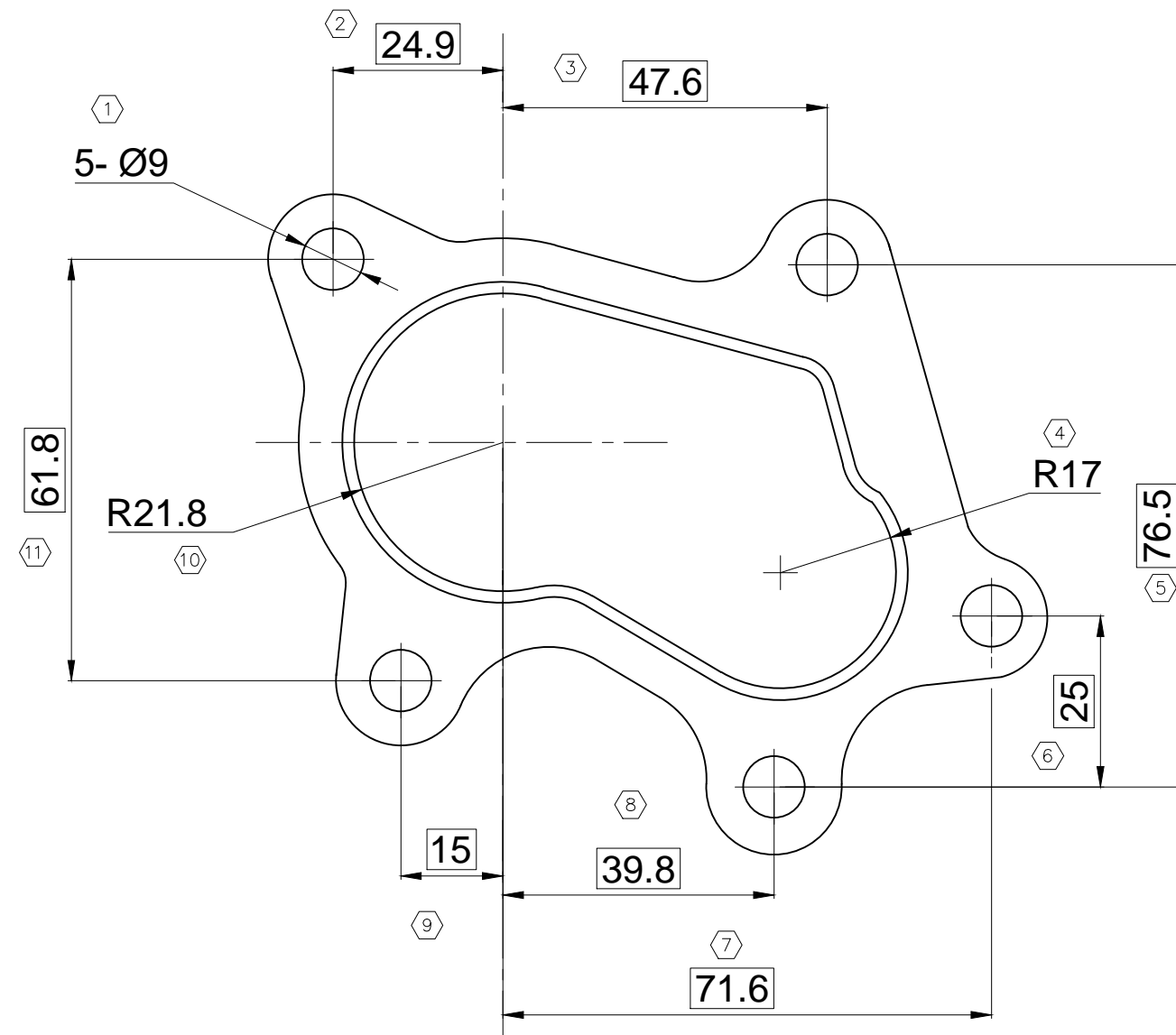
M4142-10

STAINLESS STEEL 304/430

DIMENSION IN MILLIMETERS		REV	LIST OF MATERIAL	
FOR TOLERANCES NOT SPECIFIED	$\pm 0,25$	DRAW PP	DATE 10/4/18	
FIRST ANGLE PROJECTION		CHECKED	DATE	
		APPROVED PAULO PEREIRA	DATE 10/4/18	
LIMITS NOT ACCUMULATIVES OVER A CONTINUOUS DIMENSION		TURB.OUTLET GASKET		
DRAWING CONFORMS TO ANSI Y14.5-1982		SCALE NONE		DRAW NUM. M4142-10
				REV -


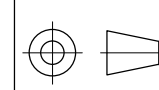
P/N	REV	MODEL
M4142-12	-	RHF4

REV	DESCRIPTION	DATE
*	*	*



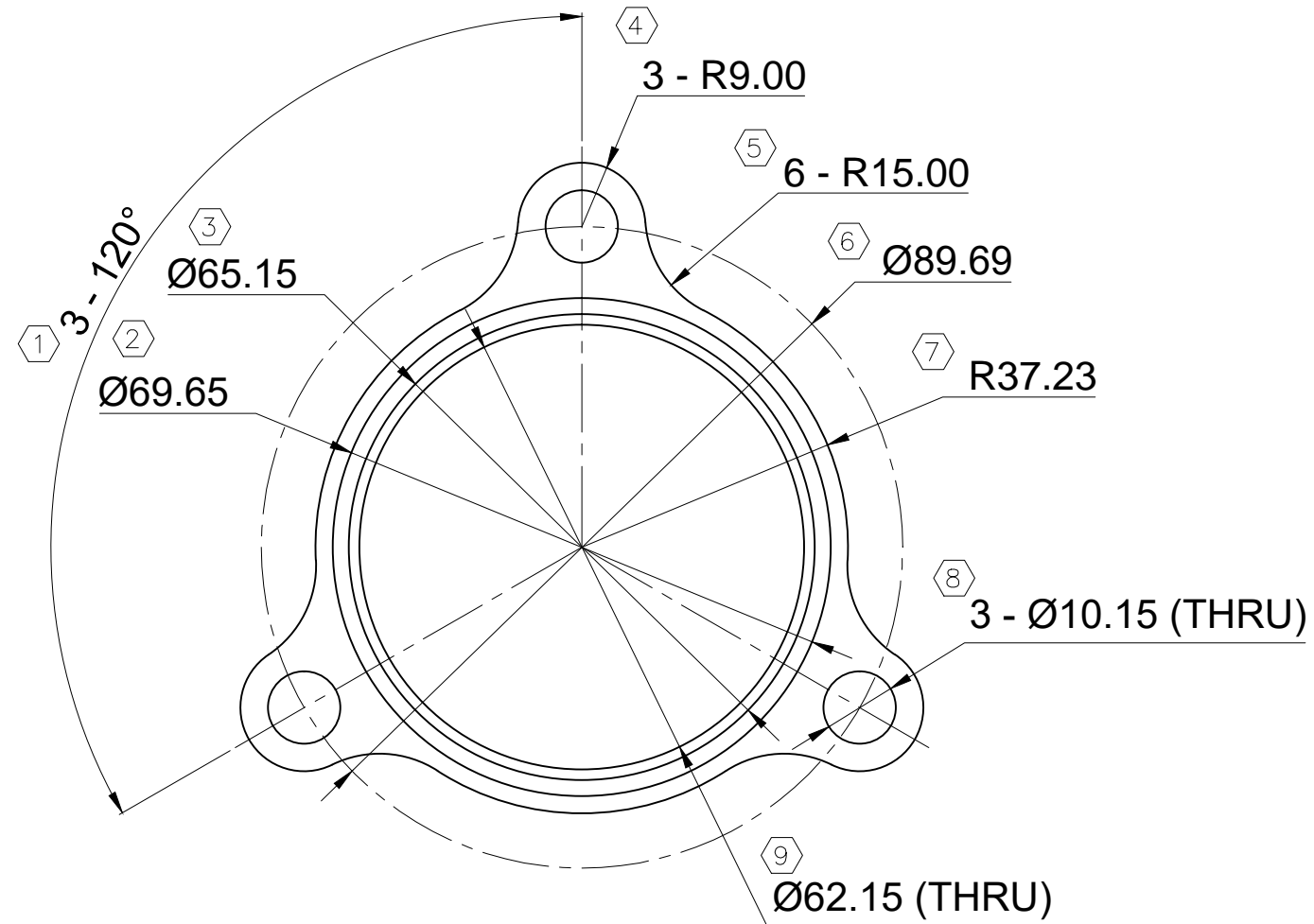
M4142-12

 STAINLESS STEEL 304/430

DIMENSION IN MILLIMETERS		REV	LIST OF MATERIAL					
FOR TOLERANCES NOT SPECIFIED	$\pm 0,25$	DRAW	DATE					
 FIRST ANGLE PROJECTION	LIMITS NOT ACCUMULATIVES OVER A CONTINUOUS DIMENSION DRAWING CONFORMS TO ANSI Y14.5-1982	PP	17/8/20					
		CHECKED	DATE					
		APPROVED	DATE					
		PAULO PEREIRA	17/8/20					
		TURB.OUTLET GASKET (RHF4 5 HOLES)		<table border="1"> <tr> <th>DRAW NUM.</th> <th>REV</th> </tr> <tr> <td>M4142-12</td> <td>-</td> </tr> </table>	DRAW NUM.	REV	M4142-12	-
DRAW NUM.	REV							
M4142-12	-							
		SCALE NONE						

P/N	REV	MODEL
M4142-13	-	TD06

REV	DESCRIPTION	DATE
*	*	*



M4142-13

 STAINLESS STEEL 304/430

DIMENSION IN MILLIMETERS		REV	LIST OF MATERIAL	
FOR TOLERANCES NOT SPECIFIED	±0,25	DRAW	FR	DATE 18/8/20
FIRST ANGLE PROJECTION		CHECKED	DATE	
APPROVED		PAULO PEREIRA	DATE	18/8/20
LIMITS NOT ACCUMULATIVES OVER A CONTINUOUS DIMENSION		TURB.OUTLET GASKET		
DRAWING CONFORMS TO ANSI Y14.5-1982		SCALE NONE		
DRAW NUM.				REV
M4142-13				-

