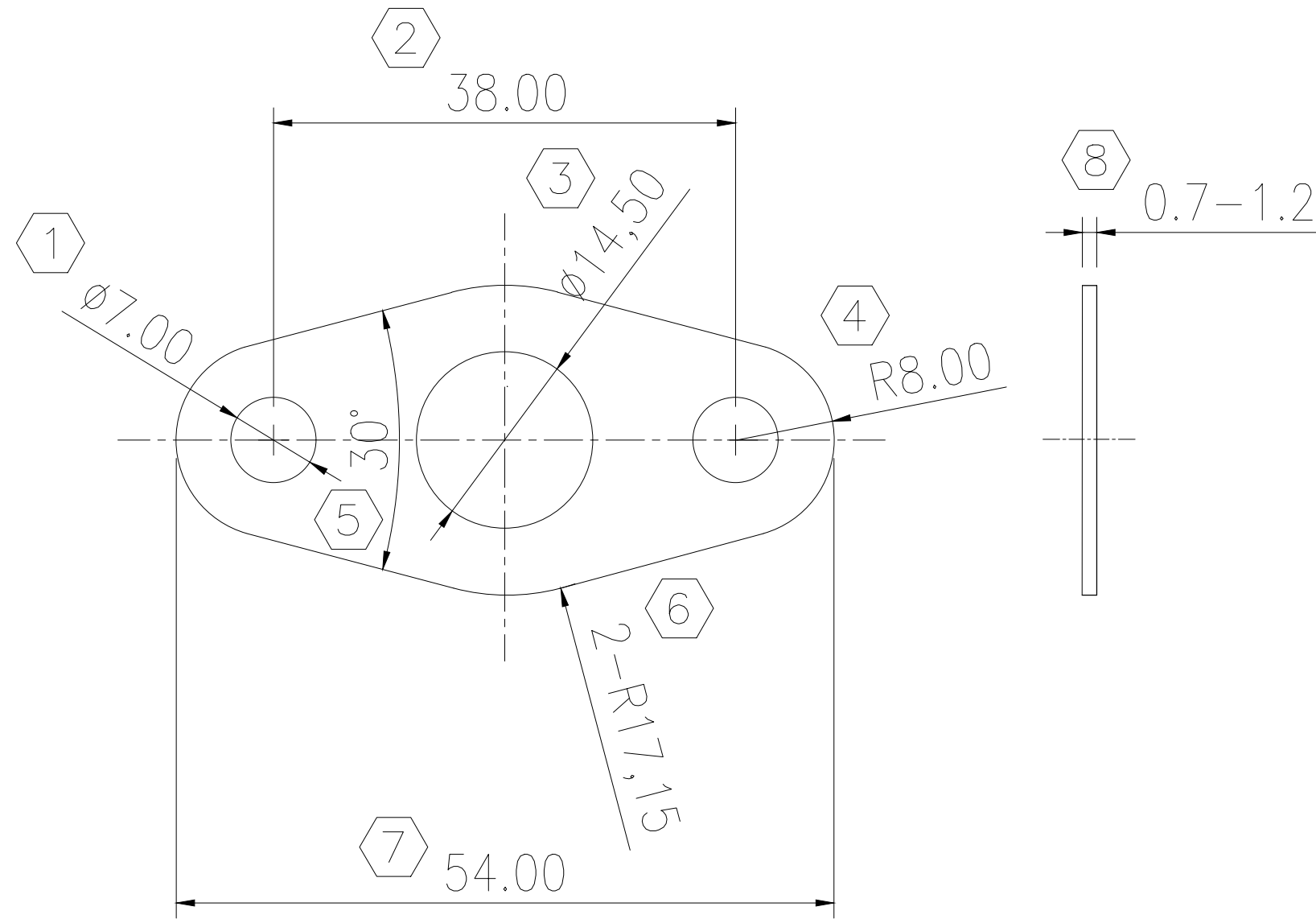



P/N	REV	MODEL
M4450-01	-	GT17/TD04

REV	DESCRIPTION	DATE
*	*	*



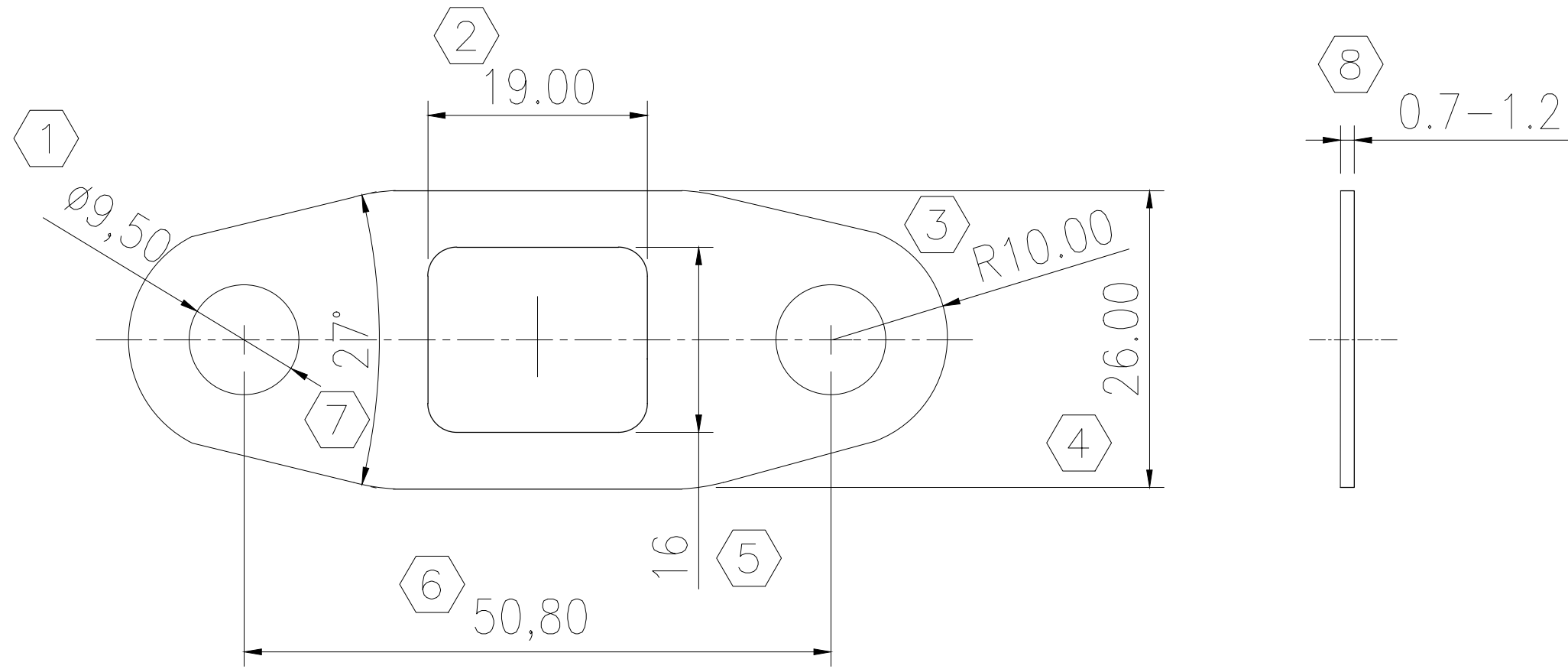
M4450-01

 PAPER GASKET

DIMENSION IN MILLIMETERS		REV	LIST OF MATERIAL	
FOR TOLERANCES NOT SPECIFIED	$\pm 0,25$	DRAW PP	DATE 23/7/19	OIL OUTLET GASKET
FIRST ANGLE PROJECTION		CHECKED	DATE	
LIMITS NOT ACCUMULATIVES OVER A CONTINUOUS DIMENSION		APPROVED PAULO PEREIRA	DATE 29/7/21	
DRAWING CONFORMS TO ANSI Y14.5-1982		SCALE NONE		 DRAW NUM. M4450-01 REV -

P/N	REV	MODEL
M4450-02	-	T04

REV	DESCRIPTION	DATE
*	*	*



T04 OUT - M4450-02

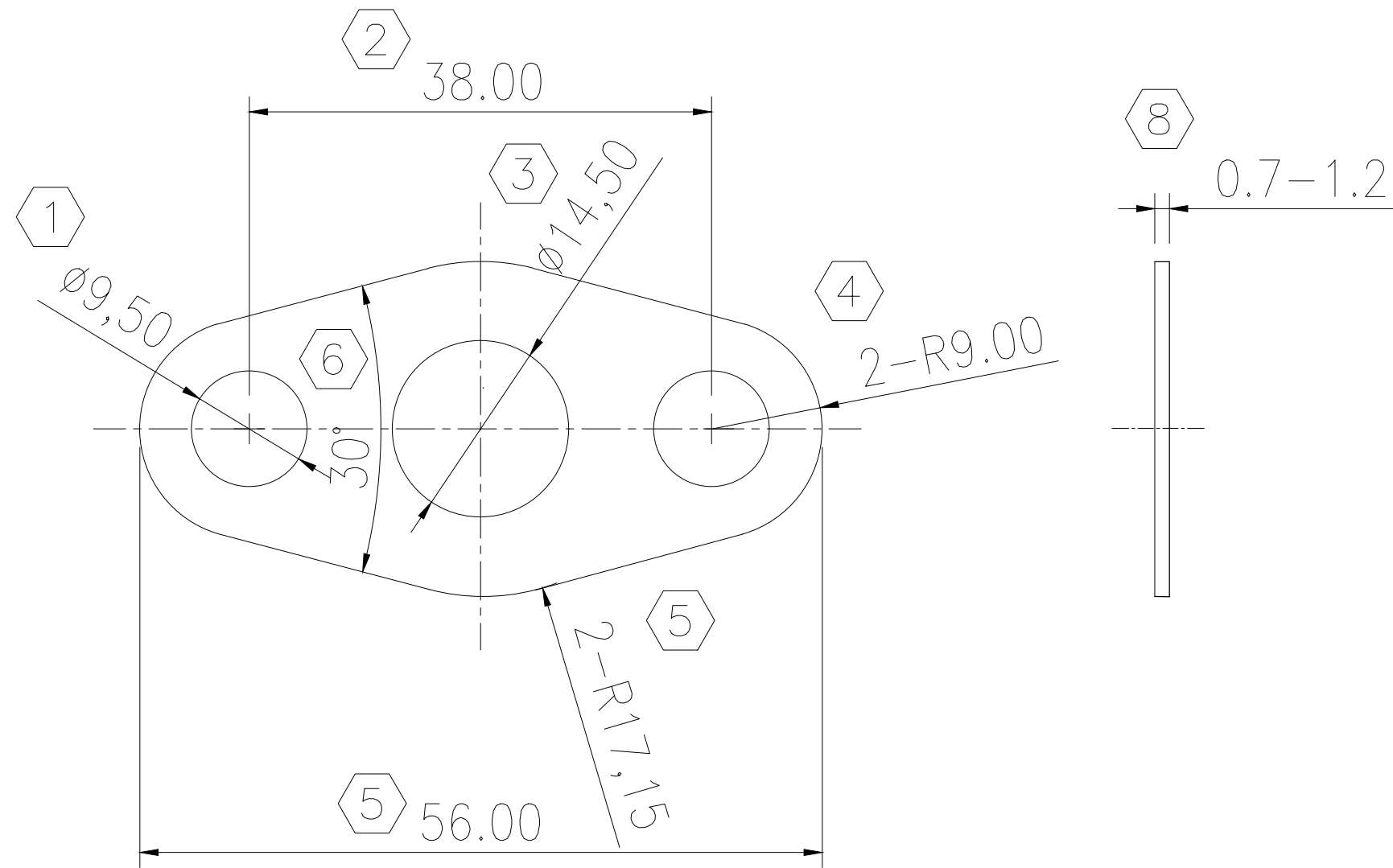
 PAPER GASKET

DIMENSION IN MILLIMETERS		REV	LIST OF MATERIAL	
FOR TOLERANCES NOT SPECIFIED	$\pm 0,25$	DRAW PP	DATE 23/7/19	OIL RETURN GASKET
FIRST ANGLE PROJECTION		CHECKED	DATE	
LIMITS NOT ACCUMULATIVES OVER A CONTINUOUS DIMENSION		APPROVED PAULO PEREIRA	DATE 29/7/21	
DRAWING CONFORMS TO ANSI Y14.5-1982				
SCALE NONE			DRAW NUM.	REV
			M4450-02	-

z@ki


P/N	REV	MODEL
M4450-03	-	HX40 /T04

REV	DESCRIPTION	DATE
*	*	*



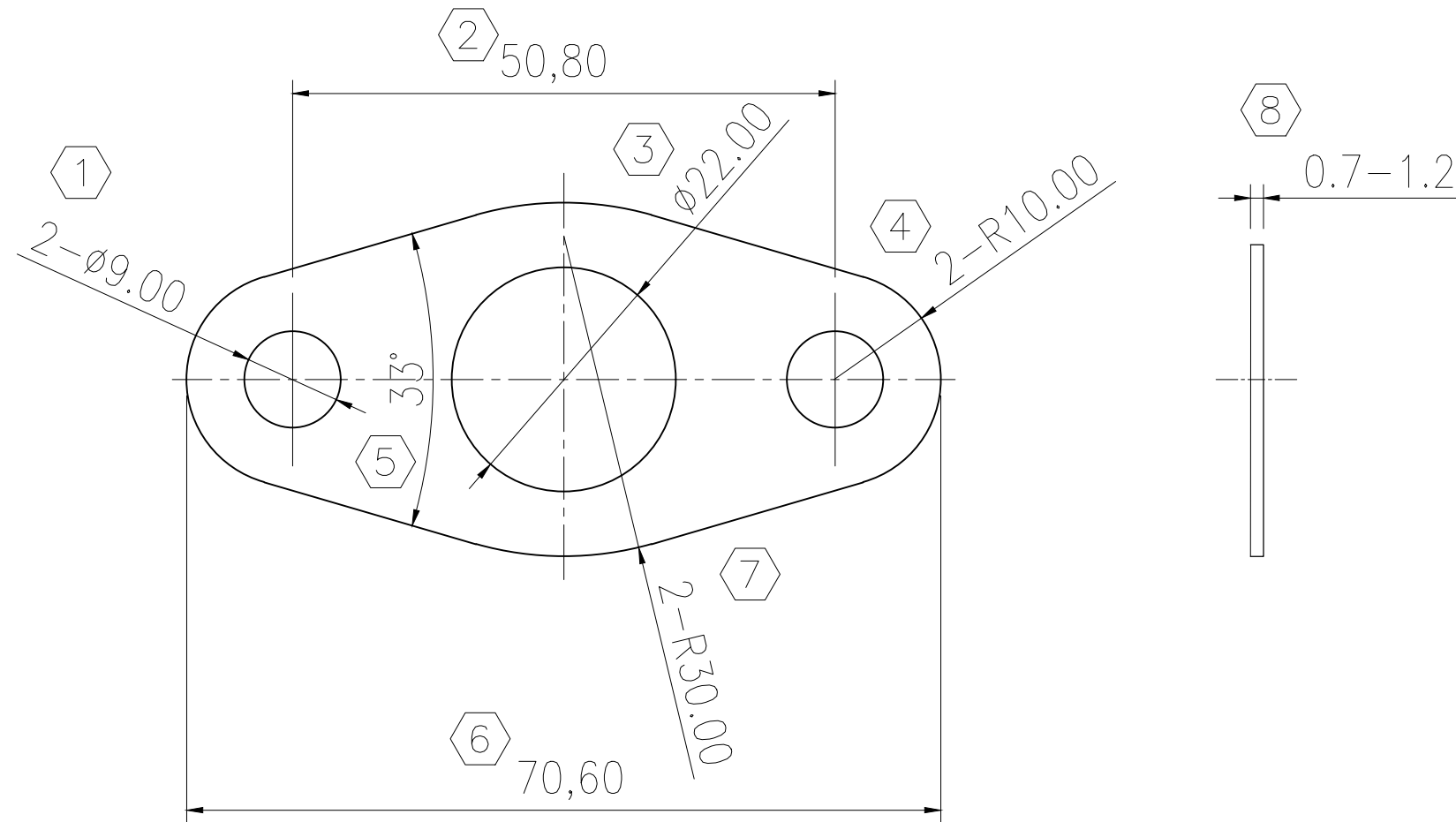
T04 IN - M4450-03

 PAPER GASKET

DIMENSION IN MILLIMETERS		REV	LIST OF MATERIAL	
FOR TOLERANCES NOT SPECIFIED	±0,25	DRAW PP	DATE 23/7/19	OIL INLET GASKET
FIRST ANGLE PROJECTION		CHECKED	DATE	
LIMITS NOT ACCUMULATIVES OVER A CONTINUOUS DIMENSION		APPROVED PAULO PEREIRA	DATE 29/7/21	
DRAWING CONFORMS TO ANSI Y14.5-1982				
		SCALE NONE		
				
				DRAW NUM. M4450-03
				REV -

P/N	REV	MODEL
M4450-05	-	HX40 / K27

REV	DESCRIPTION	DATE
*	*	*



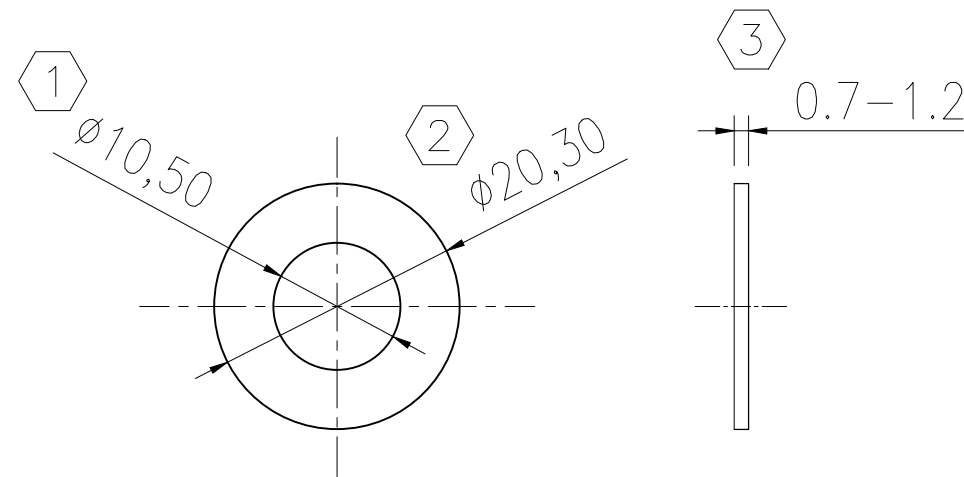
HX40 / K27 OUT - M4450-05

 PAPER GASKET

DIMENSION IN MILLIMETERS		REV	LIST OF MATERIAL	
FOR TOLERANCES NOT SPECIFIED	$\pm 0,25$	DRAW PP	DATE 23/7/19	OIL RETURN GASKET
FIRST ANGLE PROJECTION		CHECKED	DATE	
LIMITS NOT ACCUMULATIVES OVER A CONTINUOUS DIMENSION		APPROVED PAULO PEREIRA	DATE 29/7/21	
DRAWING CONFORMS TO ANSI Y14.5-1982		SCALE NONE		z@ki
			DRAW NUM.	REV
			M4450-05	-


P/N	REV	MODEL
M4450-06	-	GT20

REV	DESCRIPTION	DATE
*	*	*



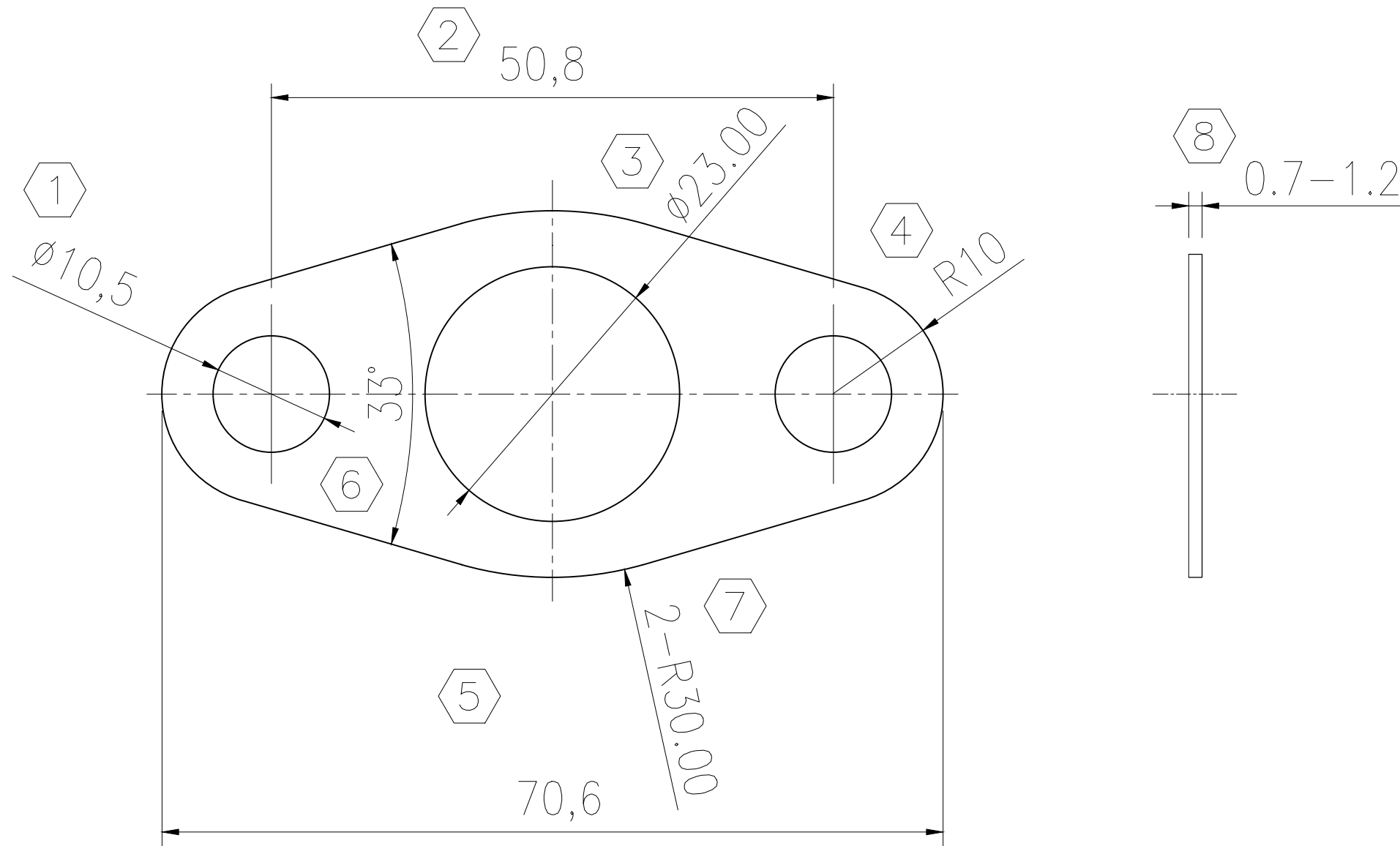
M10 IN - M4450-06

 PAPER GASKET

		ITEM NO		PART/ DWG NUMBER		REV		MATERIAL DESCRIPTION		WEIGHT	
DIMENSION IN MILIMETERS		REV		DATE		LIST OF MATERIAL					
FOR TOLERANCES NOT SPECIFIED		DRAW		DATE		OIL INLET GASKET					
±0,25		PP		23/7/19						DRAW NUM.	
FIRST ANGLE PROJECTION		CHECKED		DATE						REV	
LIMITS NOT ACCUMULATIVES OVER A CONTINUOUS DIMENSION		APPROVED		DATE							
DRAWING CONFORMS TO ANSI Y14.5-1982		PAULO PEREIRA		26/7/21							
						SCALE NONE				M4450-06 -	

P/N	REV	MODEL
M4577-01	-	HX55, S400, GTA42

REV	DESCRIPTION	DATE
*	*	*



M4577-01

▲ OIL RESISTANT PAPER

				ITEM NO PART/ DWG NUMBER REV		MATERIAL DESCRIPTION		▲	MATERIAL SPEC	WEIGHT		
DIMENSION IN MILLIMETERS				REV		LIST OF MATERIAL						
FOR TOLERANCES NOT SPECIFIED	±0,25	 FIRST ANGLE PROJECTION	DRAW	PP	DATE	23/7/19	 OIL RETURN GASKET					
LIMITS NOT ACCUMULATIVES OVER A CONTINUOUS DIMENSION			CHECKED		DATE							
DRAWING CONFORMS TO ANSI Y14.5-1982	APPROVED	PAULO PEREIRA	DATE	23/7/19	DRAW NUM.						REV	
					M4577-01						-	
SCALE						NONE						