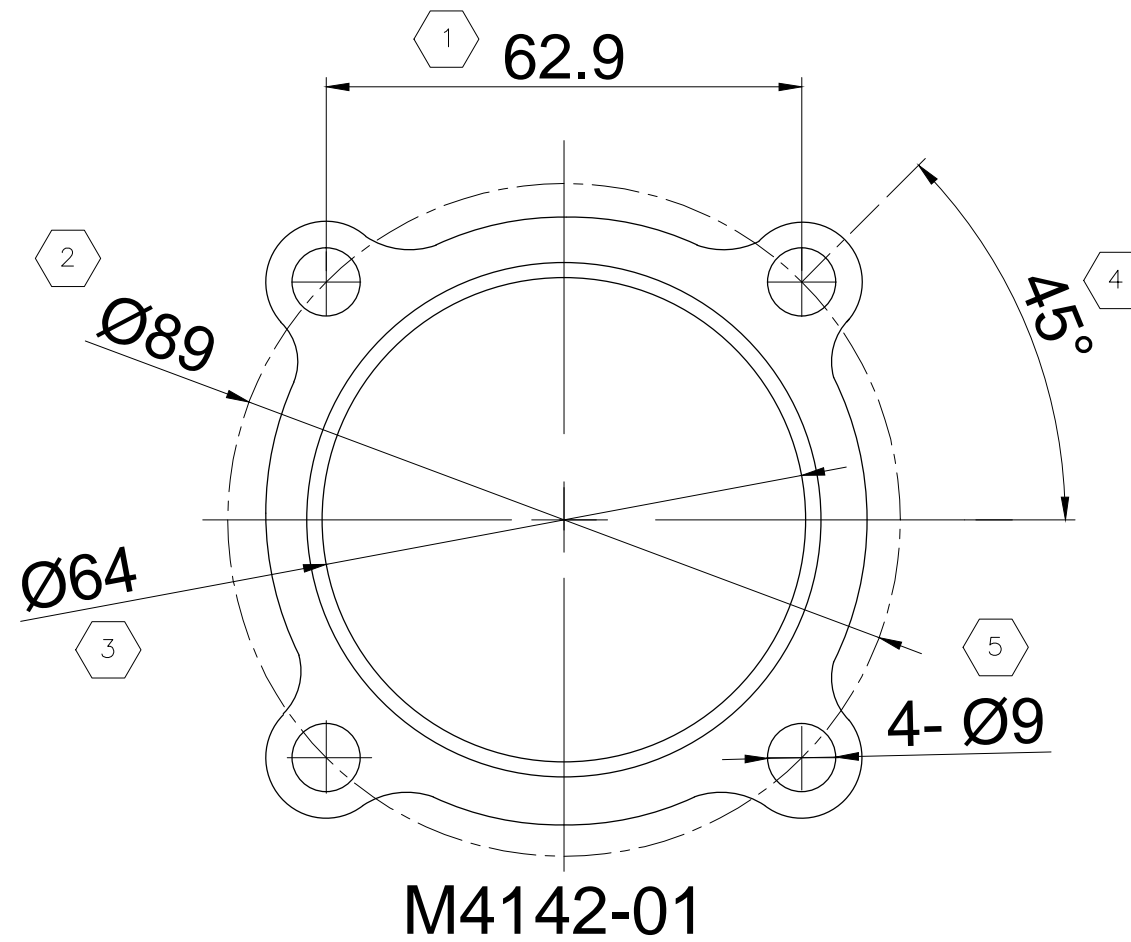


P/N	REV	MODEL
M4142-01	-	S200/T31

REV	DESCRIPTION	DATE
*	*	*

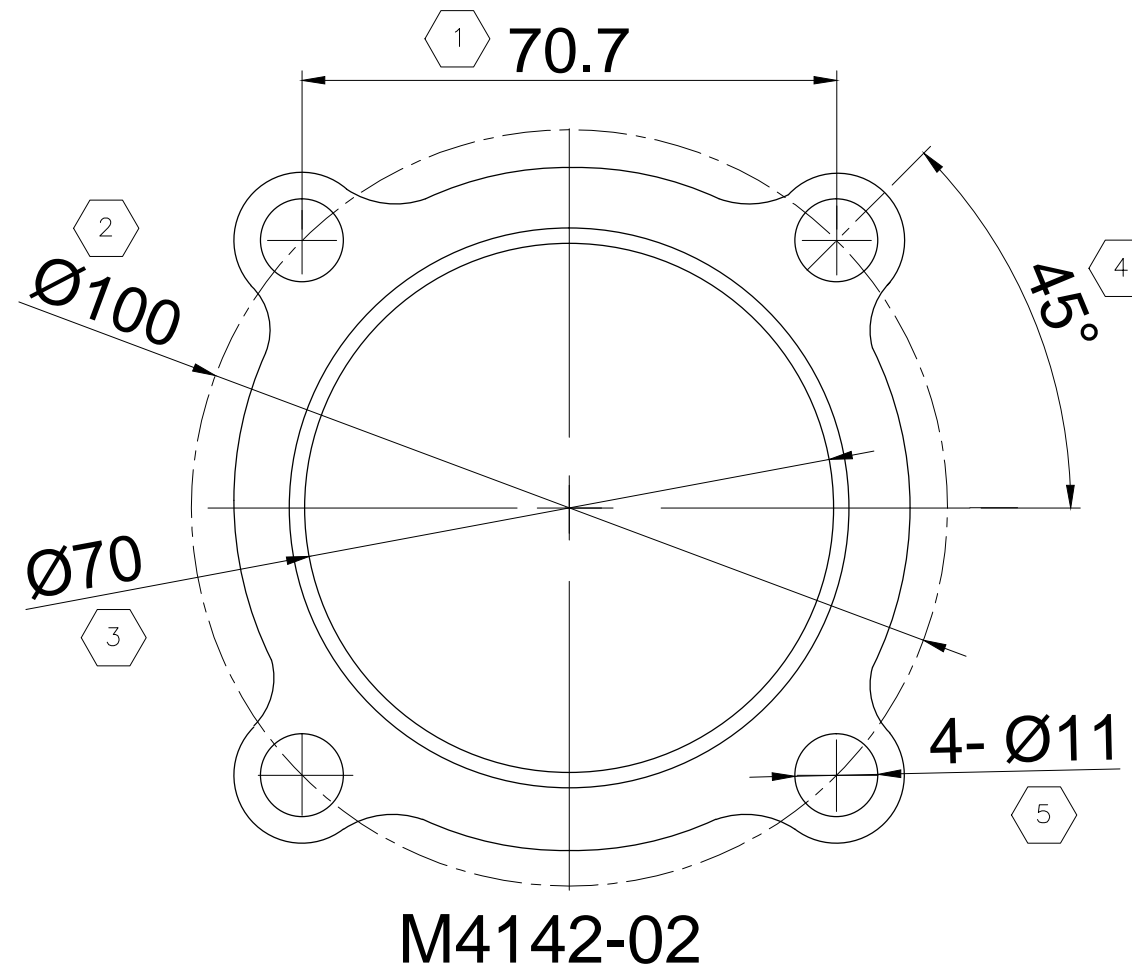


STAINLESS STEEL 304/430

DIMENSION IN MILLIMETERS		REV	LIST OF MATERIAL	
FOR TOLERANCES NOT SPECIFIED	 FIRST ANGLE PROJECTION	DRAW	DATE	
±0,25		PP	5/4/18	
LIMITS NOT ACCUMULATIVES OVER A CONTINUOUS DIMENSION		CHECKED	DATE	
DRAWING CONFORMS TO ANSI Y14.5-1982		APPROVED	DATE	
		PAULO PEREIRA	5/4/18	TURB.OUTLET GASKET
		SCALE NONE		DRAW NUM.
				M4142-01
				REV
				-

P/N	REV	MODEL
M4142-02	-	T04/K27

REV	DESCRIPTION	DATE
*	*	*



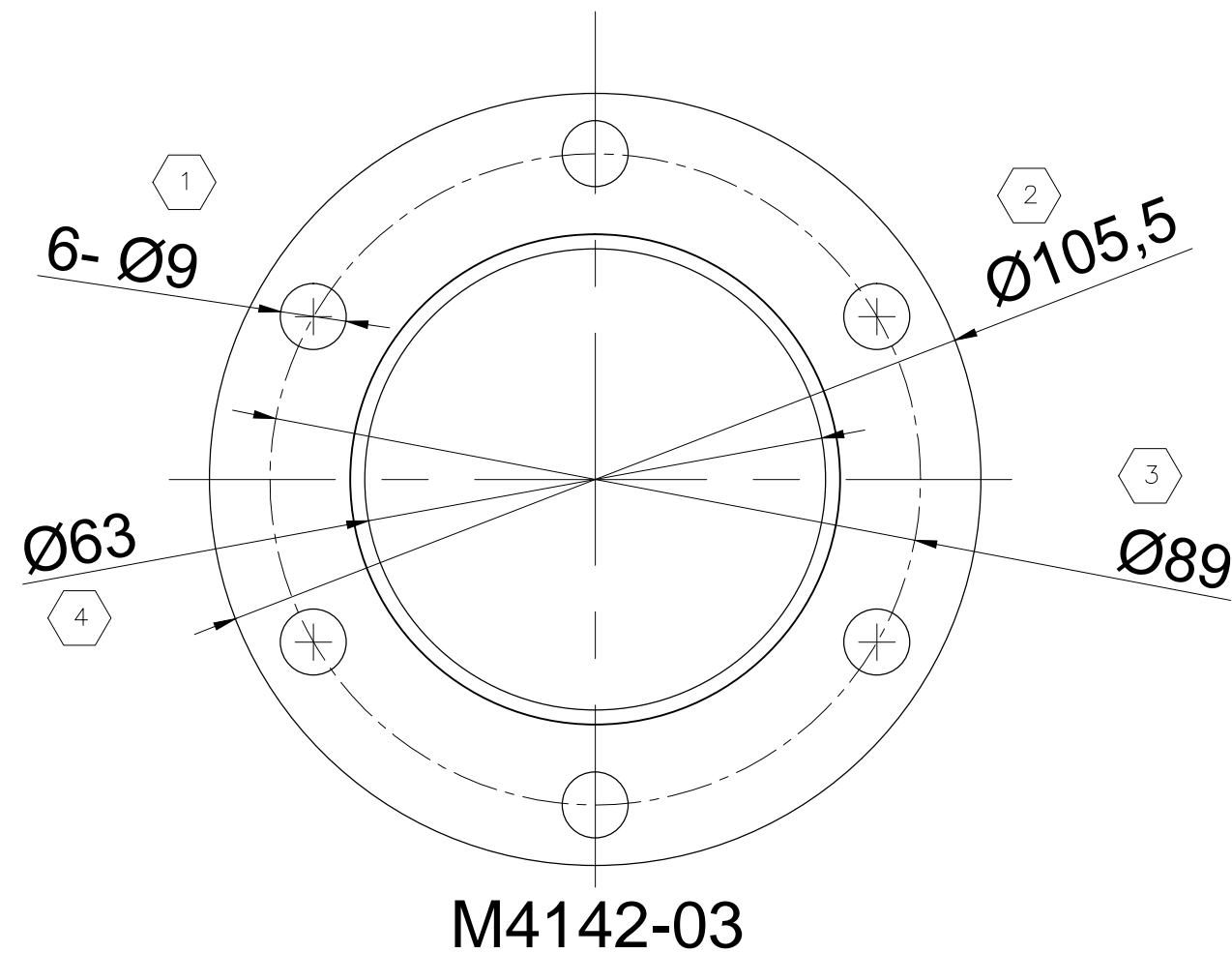
1 STAINLESS STEEL 304/430

DIMENSION IN MILLIMETERS		REV	LIST OF MATERIAL	
FOR TOLERANCES NOT SPECIFIED	±0,25	DRAW PP	DATE 5/4/18	TURB.OUTLET GASKET
FIRST ANGLE PROJECTION		CHECKED	DATE	
LIMITS NOT ACCUMULATIVES OVER A CONTINUOUS DIMENSION		APPROVED PAULO PEREIRA	DATE 5/4/18	
DRAWING CONFORMS TO ANSI Y14.5-1982				
SCALE NONE			DRAW NUM.	REV
			M4142-02	-



P/N	REV	MODEL
M4141-03	-	T04

REV	DESCRIPTION	DATE
*	*	*

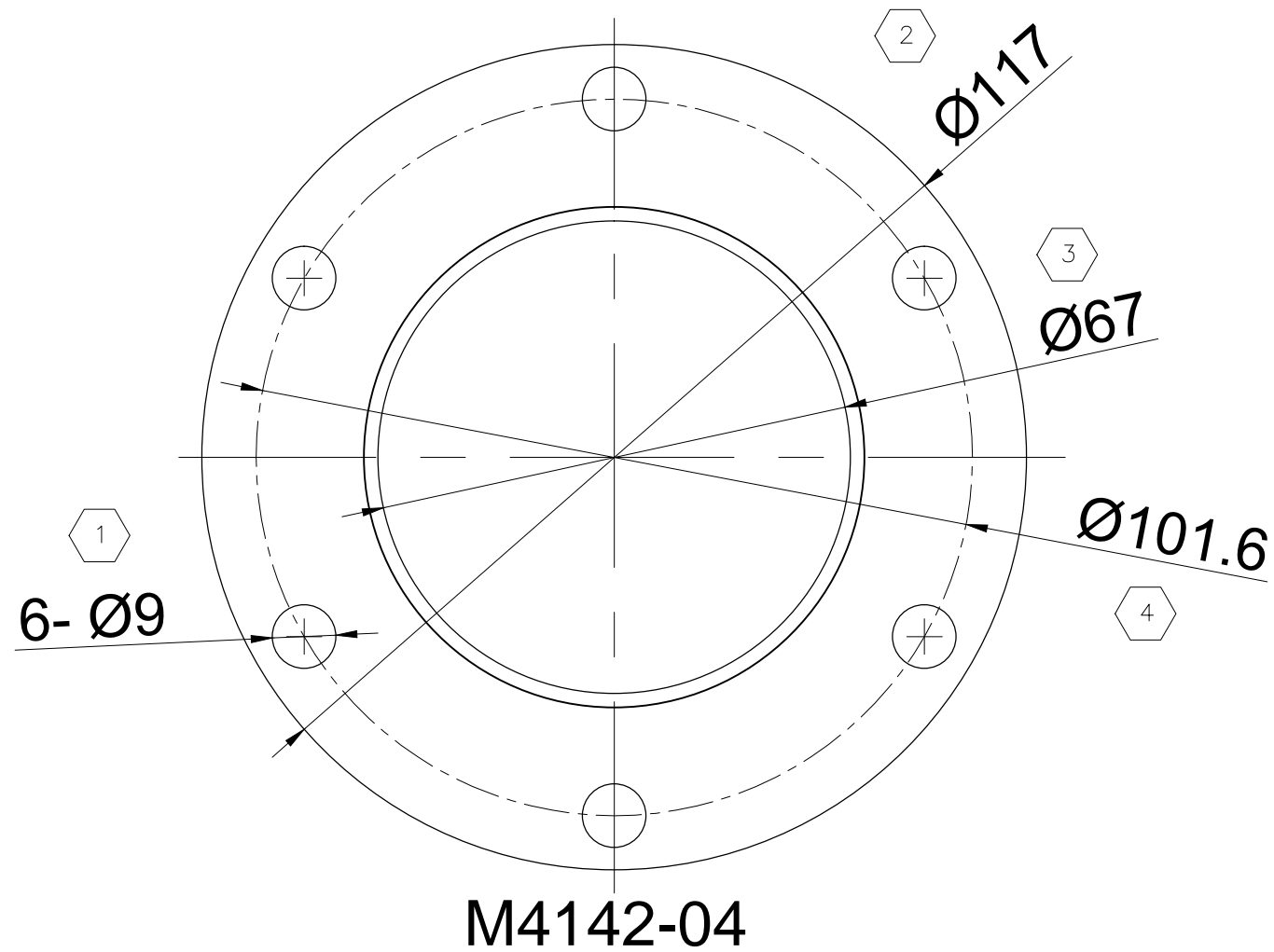


 STAINLESS STEEL 304/430

DIMENSION IN MILLIMETERS		REV	LIST OF MATERIAL		
FOR TOLERANCES NOT SPECIFIED	$\pm 0,25$	DRAW PP	DATE 5/4/18	TURB.OUTLET GASKET	
FIRST ANGLE PROJECTION		CHECKED	DATE		
LIMITS NOT ACCUMULATIVES OVER A CONTINUOUS DIMENSION		APPROVED PAULO PEREIRA	DATE 5/4/18		
DRAWING CONFORMS TO ANSI Y14.5-1982					
		SCALE NONE		zoki	
				DRAW NUM.	REV
				M4142-03	-

P/N	REV	MODEL
M4142-04	-	T04

REV	DESCRIPTION	DATE
*	*	*

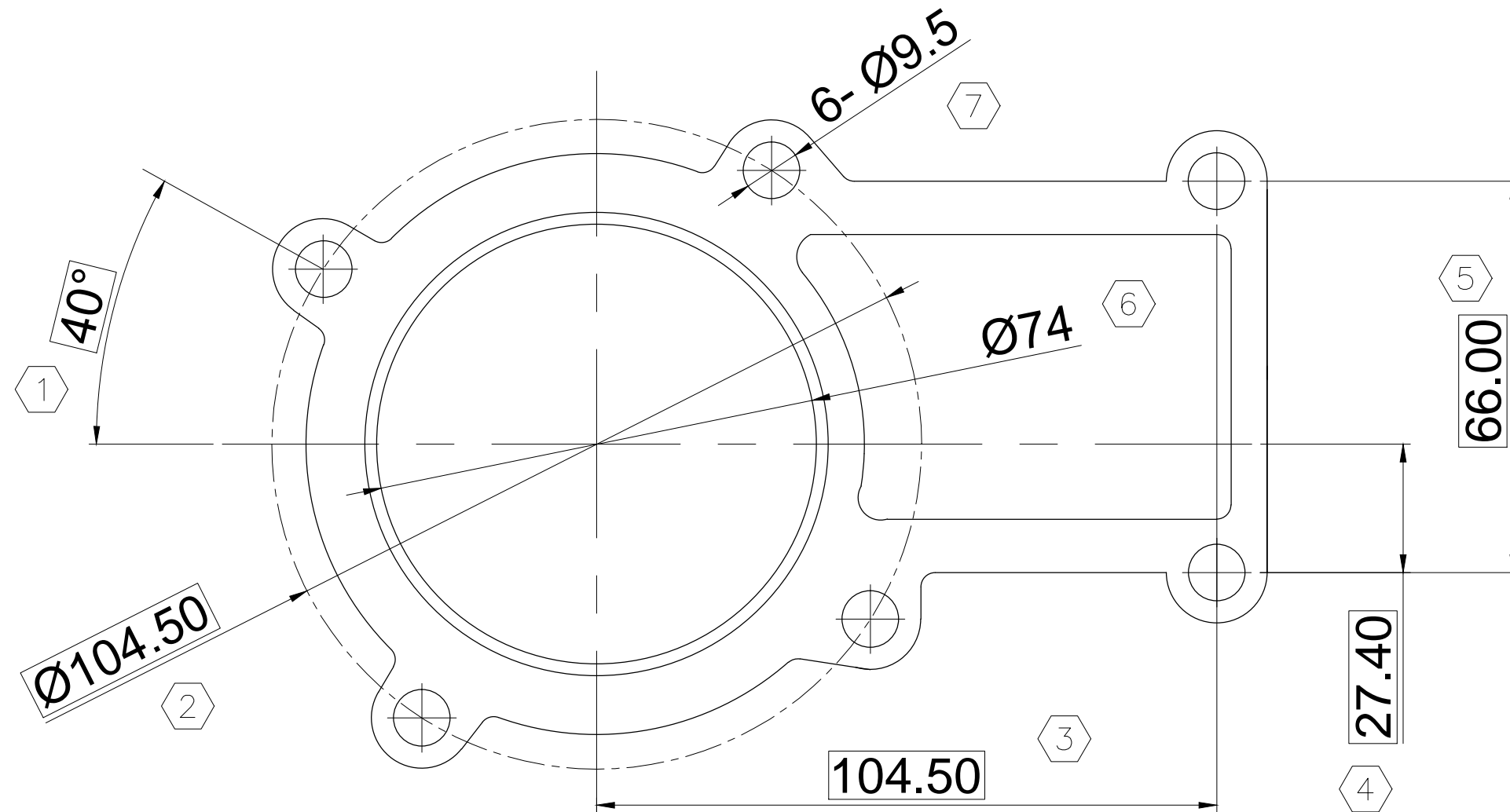


STAINLESS STEEL 304/430

DIMENSION IN MILLIMETERS		REV	LIST OF MATERIAL					
FOR TOLERANCES NOT SPECIFIED	±0,25	DRAW PP	DATE 5/4/18					
FIRST ANGLE PROJECTION		CHECKED	DATE					
		APPROVED PAULO PEREIRA	DATE 5/4/18					
LIMITS NOT ACCUMULATIVES OVER A CONTINUOUS DIMENSION		TURB.OUTLET GASKET						
DRAWING CONFORMS TO ANSI Y14.5-1982		SCALE NONE		<table border="1" style="width: 100%;"> <tr> <td>DRAW NUM.</td> <td>REV</td> </tr> <tr> <td>M4142-04</td> <td>-</td> </tr> </table>	DRAW NUM.	REV	M4142-04	-
DRAW NUM.	REV							
M4142-04	-							

P/N	REV	MODEL
M4142-05	-	TBP4/GT35

REV	DESCRIPTION	DATE
*	*	*



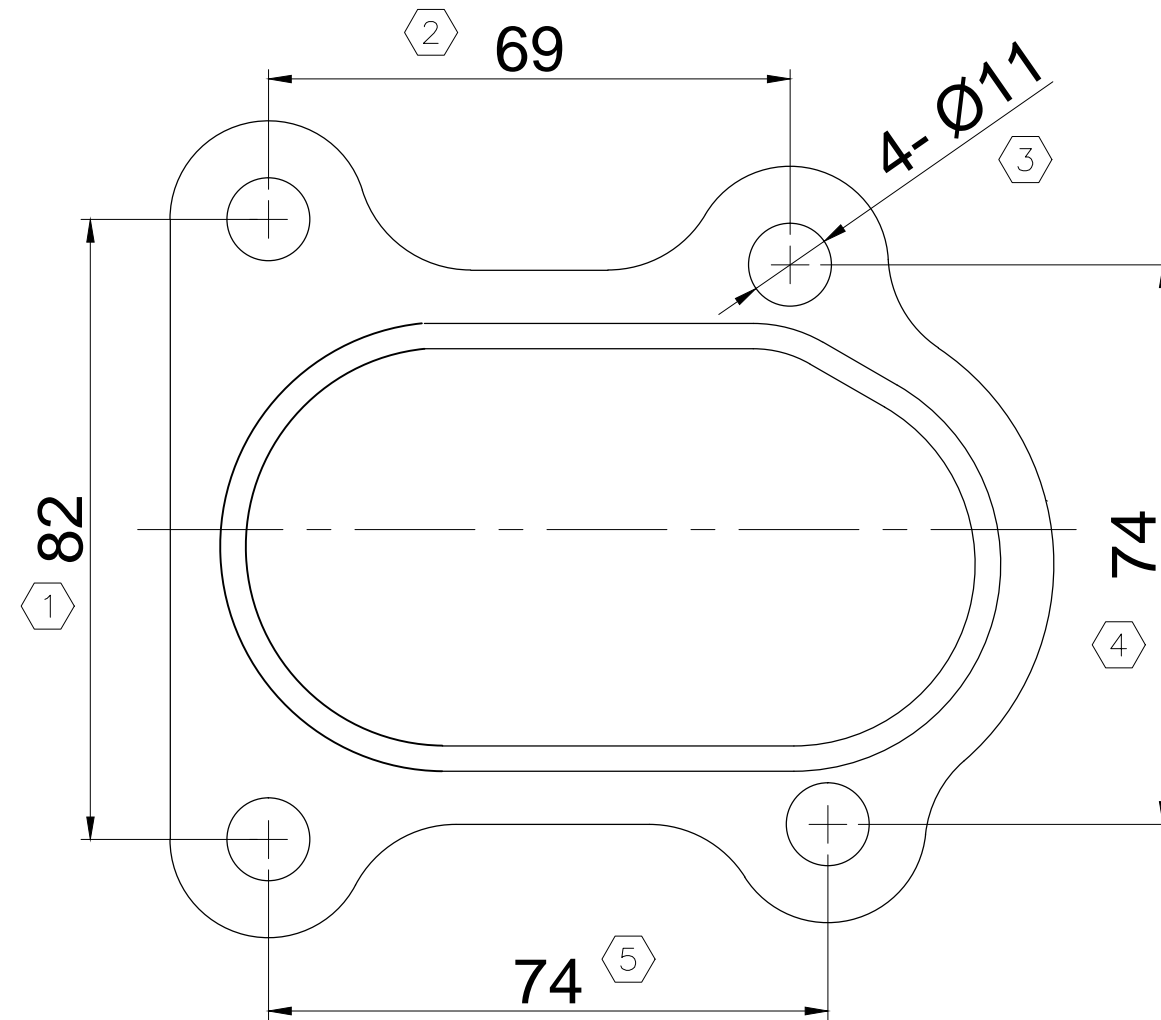
M4142-05

1 STAINLESS STEEL 304/430

DIMENSION IN MILLIMETERS		REV	LIST OF MATERIAL	
FOR TOLERANCES NOT SPECIFIED	±0,25	DRAW PP	DATE 6/4/18	TURB.OUTLET GASKET
FIRST ANGLE PROJECTION		CHECKED	DATE	
LIMITS NOT ACCUMULATIVES OVER A CONTINUOUS DIMENSION		APPROVED PAULO PEREIRA	DATE 6/4/18	
DRAWING CONFORMS TO ANSI Y14.5-1982				
		SCALE NONE		
				z@ki
				DRAW NUM. M4142-05
				REV -

P/N	REV	MODEL
M4142-06	-	K16

REV	DESCRIPTION	DATE
*	*	*



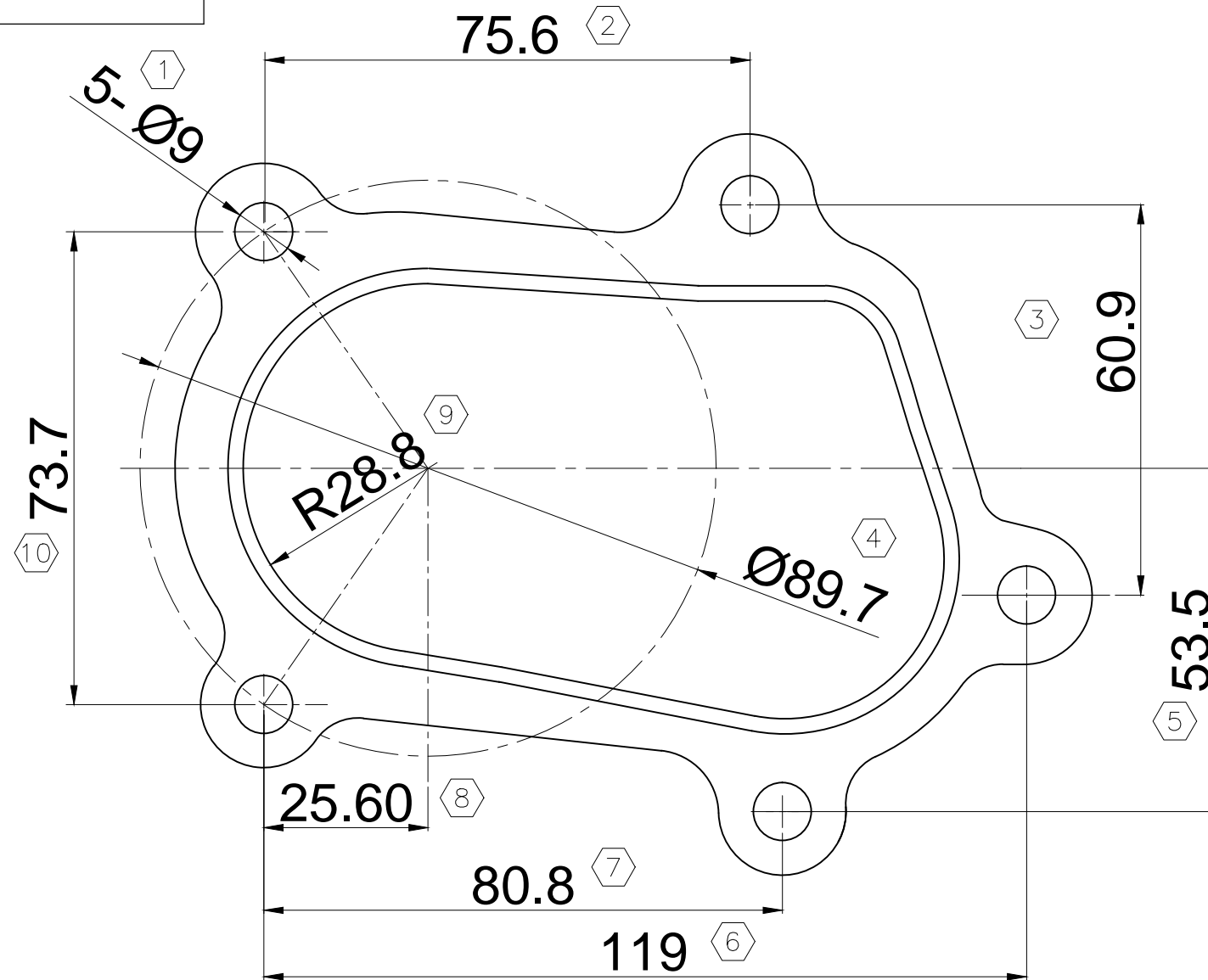
M4142-06

1 STAINLESS STEEL 304/430

DIMENSION IN MILLIMETERS		REV	LIST OF MATERIAL	
FOR TOLERANCES NOT SPECIFIED	±0,25	DRAW PP	DATE 6/4/18	TURB.OUTLET GASKET
FIRST ANGLE PROJECTION		CHECKED	DATE	
LIMITS NOT ACCUMULATIVES OVER A CONTINUOUS DIMENSION		APPROVED PAULO PEREIRA	DATE 6/4/18	
DRAWING CONFORMS TO ANSI Y14.5-1982				
		SCALE NONE		
				z@ki
				DRAW NUM. M4142-06
				REV -

P/N	REV	MODEL
M4142-08	-	TB28

REV	DESCRIPTION	DATE
*	*	*



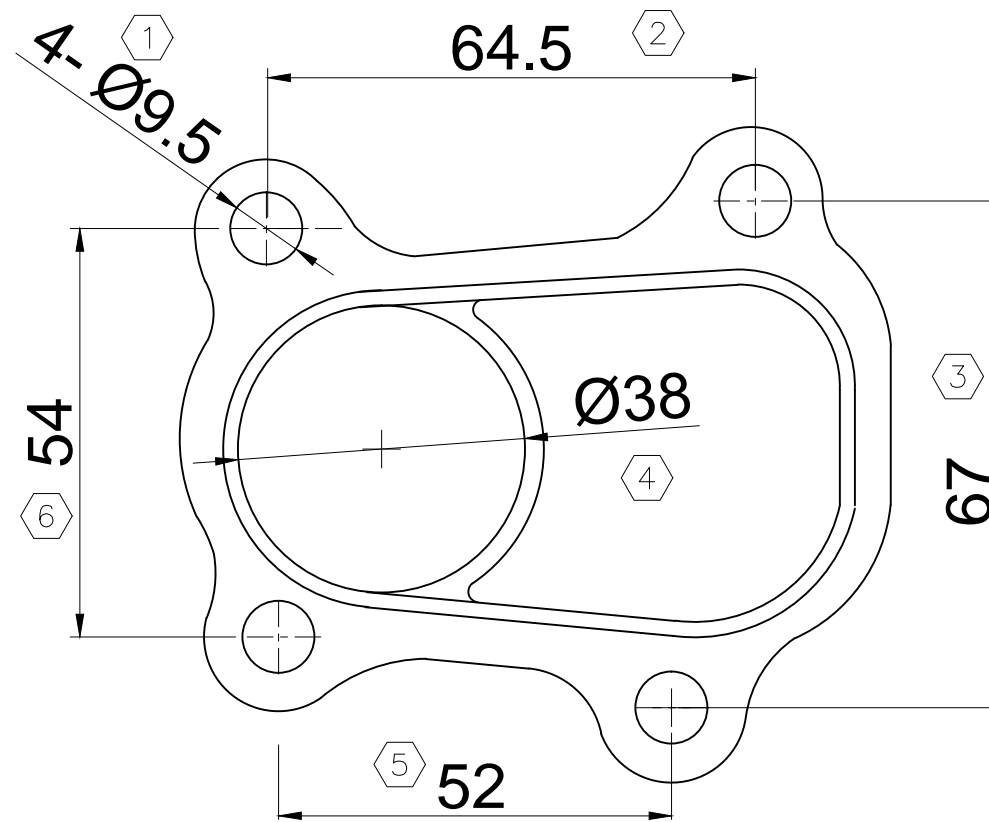
M4142-08

1 STAINLESS STEEL 304/430

DIMENSION IN MILLIMETERS		REV	LIST OF MATERIAL	
FOR TOLERANCES NOT SPECIFIED	±0,25	DRAW	PP	DATE 6/4/18
FIRST ANGLE PROJECTION		CHECKED		DATE
LIMITS NOT ACCUMULATIVES OVER A CONTINUOUS DIMENSION		APPROVED	PAULO PEREIRA	DATE 6/4/18
DRAWING CONFORMS TO ANSI Y14.5-1982		TURB.OUTLET GASKET		
SCALE NONE				z@ki
				DRAW NUM. M4142-08
				REV -

P/N	REV	MODEL
M4142-10	-	TD025

REV	DESCRIPTION	DATE
*	*	*



M4142-10

 STAINLESS STEEL 304/430

DIMENSION IN MILLIMETERS		REV	LIST OF MATERIAL	
FOR TOLERANCES NOT SPECIFIED	$\pm 0,25$	DRAW PP	DATE 10/4/18	TURB.OUTLET GASKET
FIRST ANGLE PROJECTION		CHECKED	DATE	
LIMITS NOT ACCUMULATIVES OVER A CONTINUOUS DIMENSION		APPROVED PAULO PEREIRA	DATE 10/4/18	
DRAWING CONFORMS TO ANSI Y14.5-1982				
		SCALE NONE		
				z@ki
				DRAW NUM. M4142-10
				REV -